

Descrizione

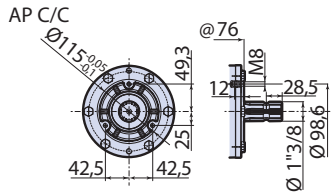
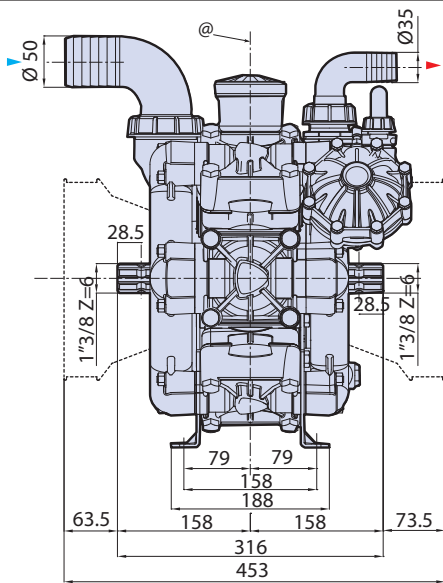
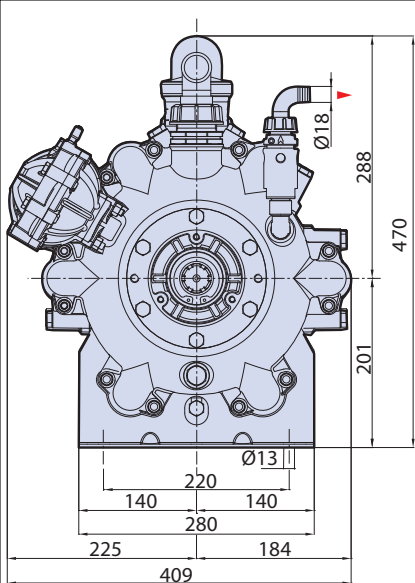
Semi-hydraulic six-diaphragm pump, for use in low pressure systems.

Parts in contact with pumped liquids in plastic-coated aluminium Rilsan and AISI 303/304. Diaphragms in BlueFlex™. Seals in NBR. Die-cast casing with oil-immersed mechanism and clear plastic tank for visual level checking. Fitted with air-hydraulic damper for smoother operation and less hammer effect in the delivery circuit. Remote level monitoring sensor on request. Remote oil tank installation kit available on request. Oil drainage stopper. Pistons with ring for a more efficient "oil cushion" system to protect the diaphragm. Spherical sector profile valves for lower flow resistance and improved volumetric efficiency.

Rugged feet secured to pump casing. Mass-produced safety valve and cardan protection. Geomet metal fasteners. Available pulley fixtures, flanges for hydraulic motors and hydraulic pumps for overgears. Kit for combining two pumps to form a modular unit to supply the sprayer's various uses.



Details	Value
ARCode	32043
Category	Low pressure
Product	AR 250 bp
Version	C/C
Number of diaph	6
Delivery (l/min)	254.4
Delivery (gpm)	67.2
Pressure (bar)	20
Pressure (psi)	290
Power (hp)	11.4
RPM	550
Weight (kg)	38.5
Dimensions (mm) L	409
Dimensions (mm) H	480
Dimensions (mm) W	316
Suction (mm)	ø 50
Outlet (mm)	ø 35
Temperature Max °C	60



@ = Pump axis - Asse pompa